

# FLUIDO 110 Sincro

MAX. 110 kg.

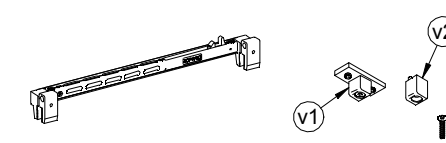
FEBRUARY 2017  
038060630

SOFTPRO 2 lados 55kg / 2 Sides / 2 côtés / 2 Lati

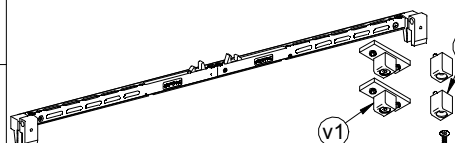
SOFTPRO 2 lados 110kg / 2 Sides / 2 côtés / 2 Lati

RETENEDOR / Retaining stopper / Frein de retenue / Freno di retencione

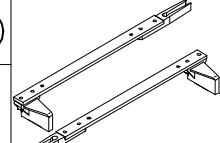
(a) 2



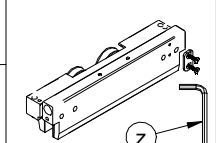
(d) 2



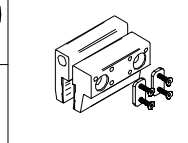
(g) 1



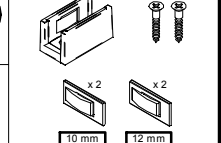
(i) 1



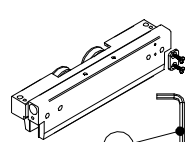
(k) 1



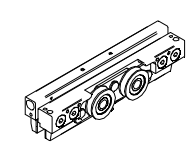
(m) 2



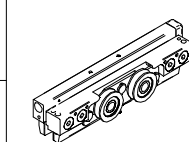
(b) 1



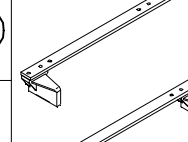
(c) 1



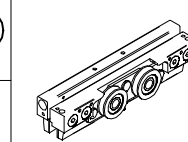
(e) 2



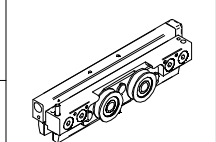
(f) 1



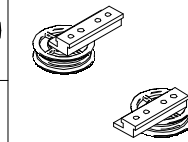
(h) 1



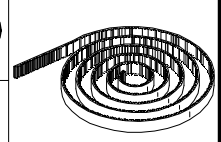
(j) 2



(l) 1



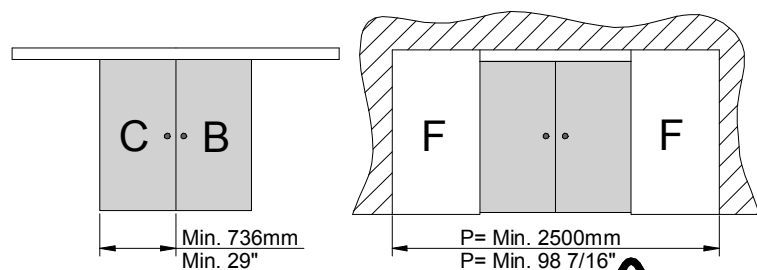
(n) 1



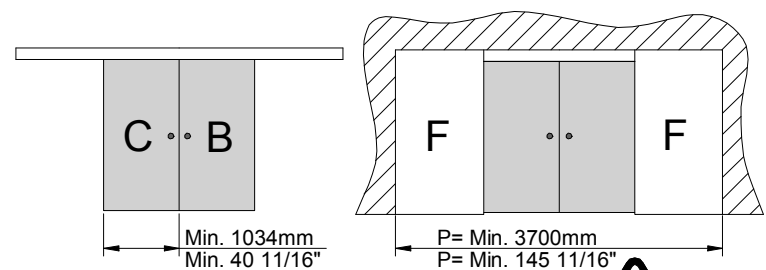
SOFTPRO 2 lados 55kg / 2 Sides / 2 côtés / 2 Lati

SOFTPRO 2 lados 110kg / 2 Sides / 2 côtés / 2 Lati

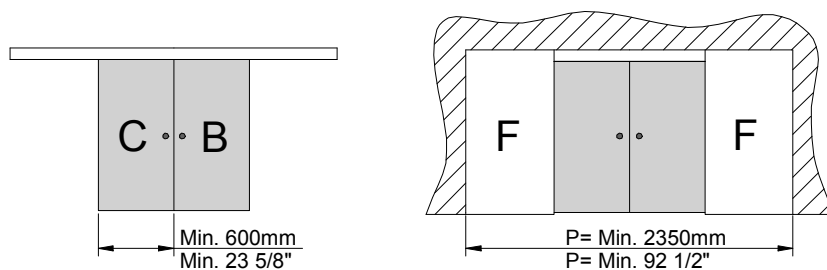
RETENEDOR / Retaining stopper / Frein de retenue / Freno di retencione



"P"	"S" Min.
2500mm 98 7/16"	250mm 9 13/16"
2600mm 102 3/8"	200mm 7 7/8"
2700mm 106 5/16"	150mm 5 7/8"
2800mm 110 1/4"	100mm 3 15/16"
2900mm 114 3/16"	50mm 1 15/16"



"P"	"S" Min.
3900mm 145 11/16"	250mm 9 13/16"
3800mm 149 5/8"	200mm 7 7/8"
3900mm 153 9/16"	150mm 5 7/8"
4000mm 157 1/2"	100mm 3 15/16"
4100mm 161 7/16"	50mm 1 15/16"



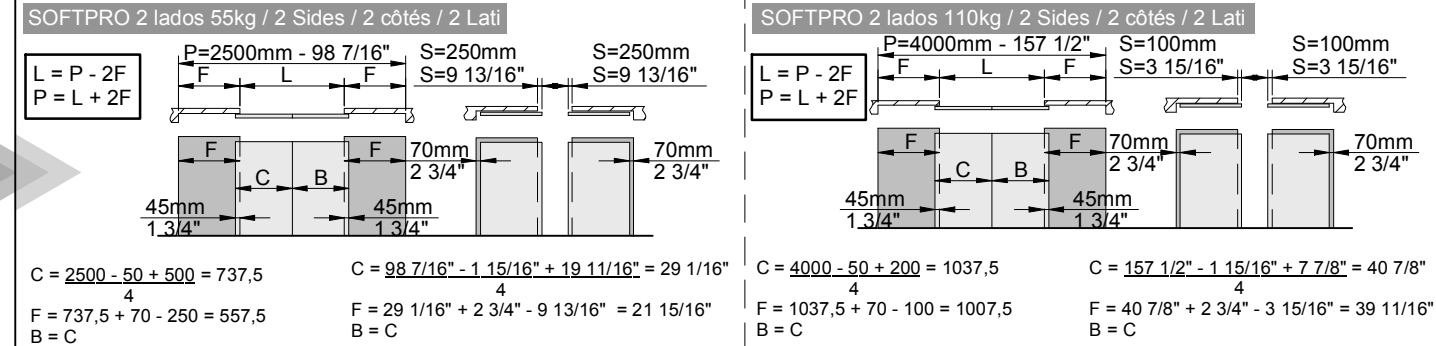
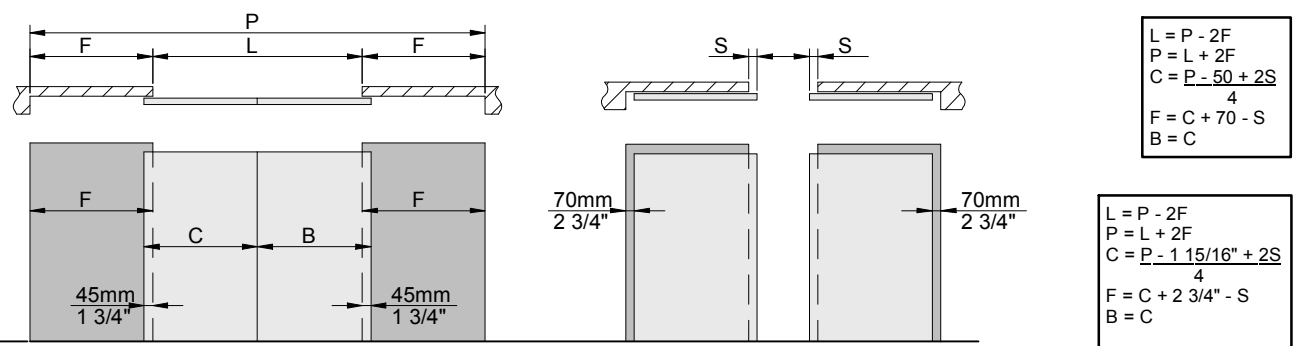
B, C = PUERTA / Door / Porte / Porta  
F = HOJA FIJA / Fixed sheet / Panneau fixe / Pannello fisso

B, C = PUERTA / Door / Porte / Porta  
F = HOJA FIJA / Fixed sheet / Panneau fixe / Pannello fisso

B, C = PUERTA / Door / Porte / Porta  
F = HOJA FIJA / Fixed sheet / Panneau fixe / Pannello fisso

INSTALACIÓN SOLAPADA / Overlap assembly / Montage sournois / Installazione sovrapposta

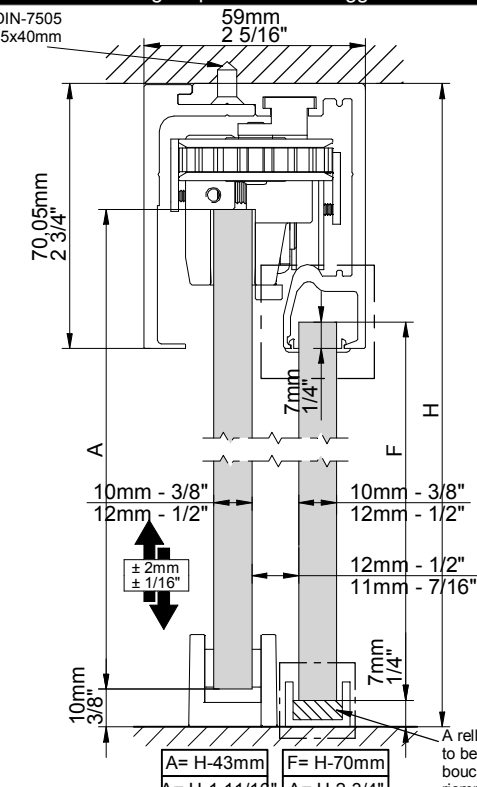
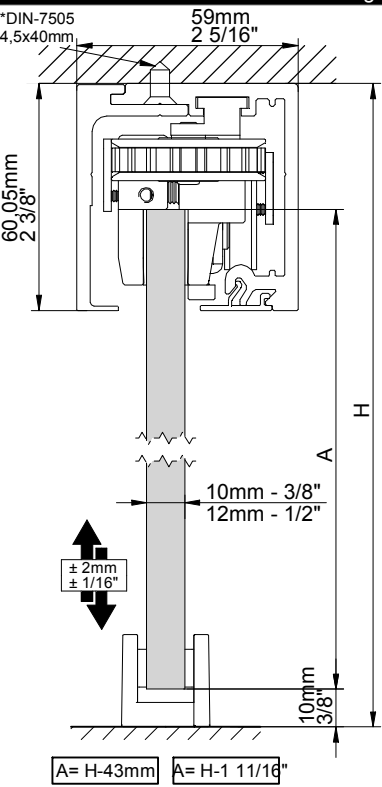
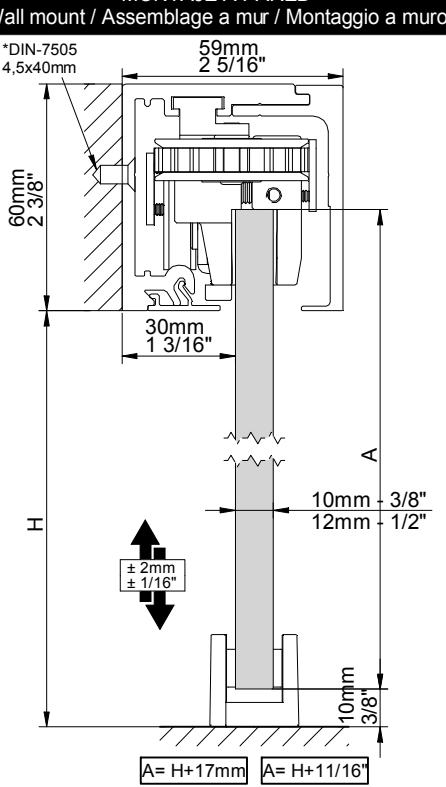
EJEMPLOS INSTALACIÓN SOLAPADA / Overlaps assembly example / Exemples demontage sournois / esempi sovrapposta



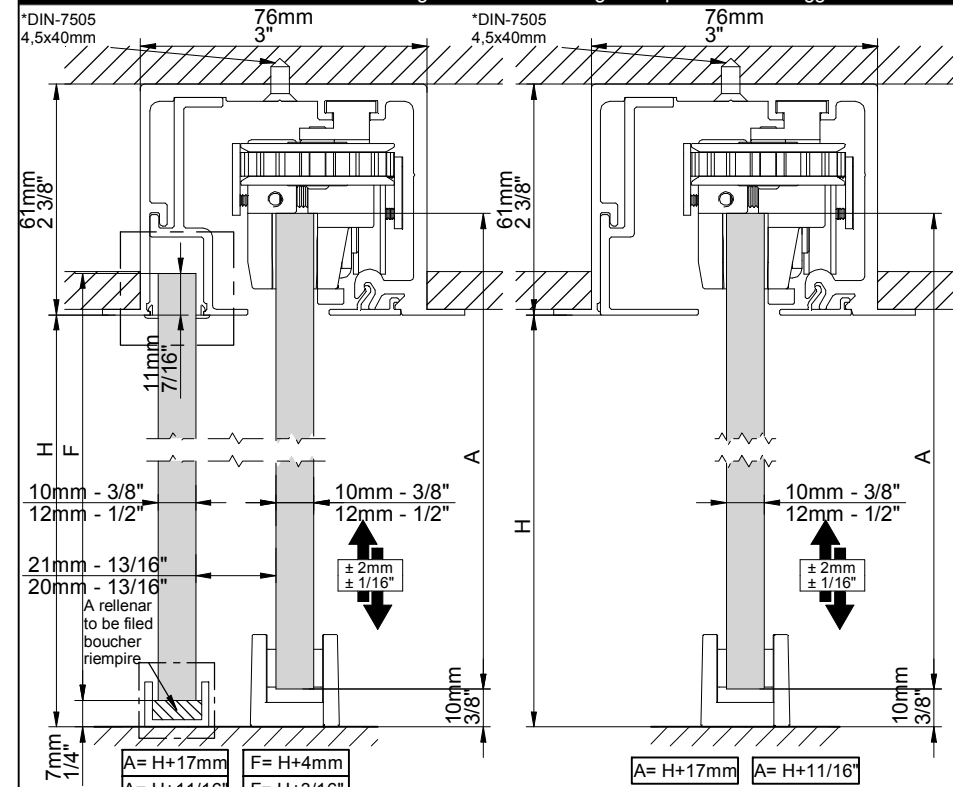
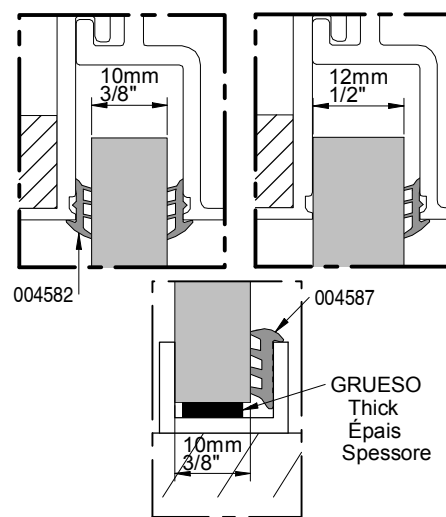
MONTAJE A PARED / Wall mount / Assemblage a mur / Montaggio a muro

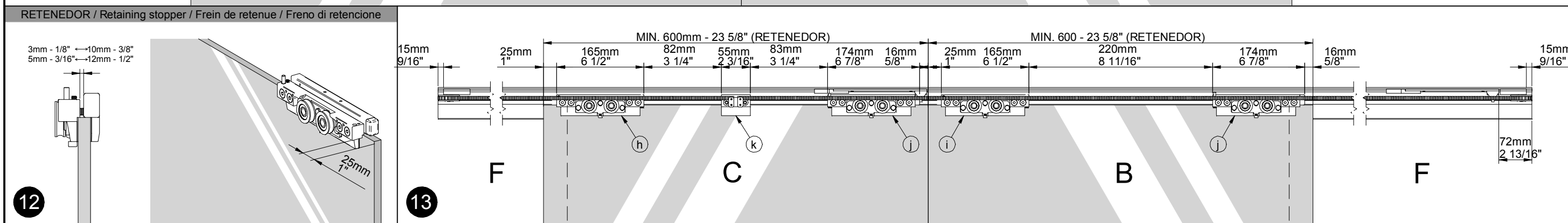
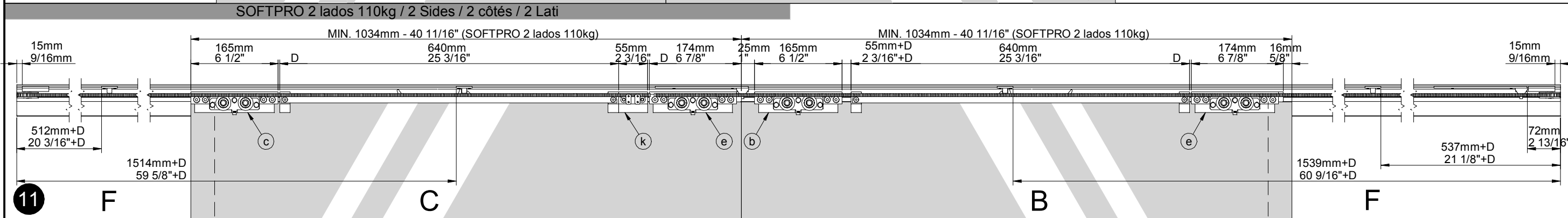
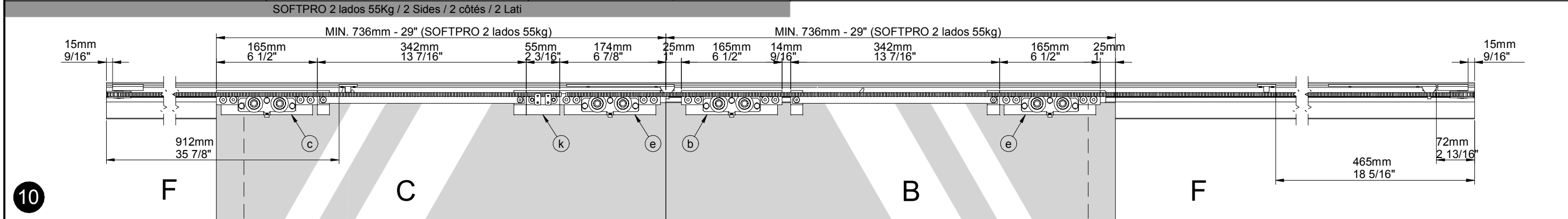
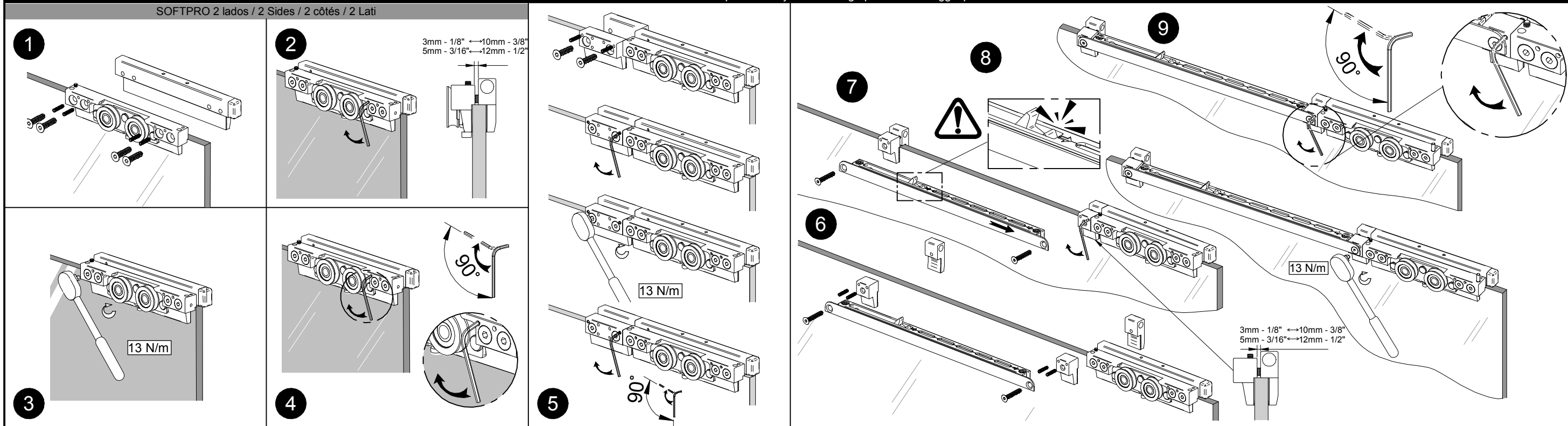
MONTAJE A TECHO / Ceiling mount / Assemblage a plafond / Montaggio a soffitto

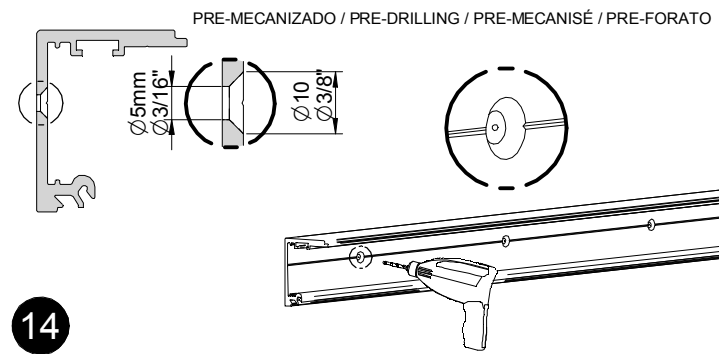
MONTAJE A FALSO TECHO / False ceiling mount / Assemblage faux plafond / Montaggio a falso soffitto



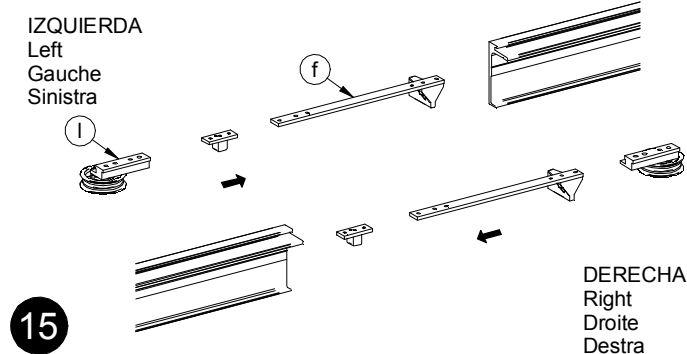
OPCIONAL / Optional / Optionnel / Optionale		
CODE	mm.	JUNTA PVC / PVC GASKET / JOIN PVC / GIUNZIONE
004582	10mm-12mm 3/8"-1/2"	
004587	10mm 3/8"	



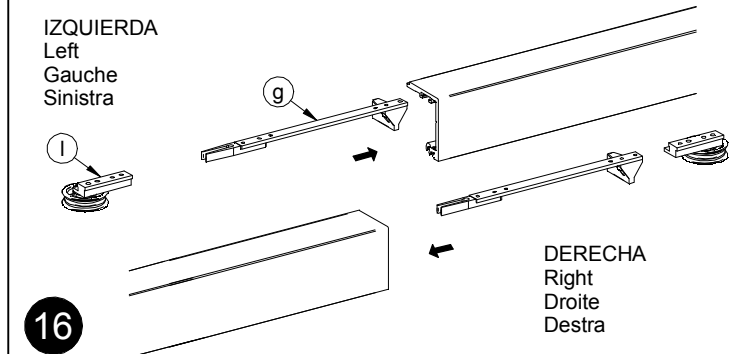




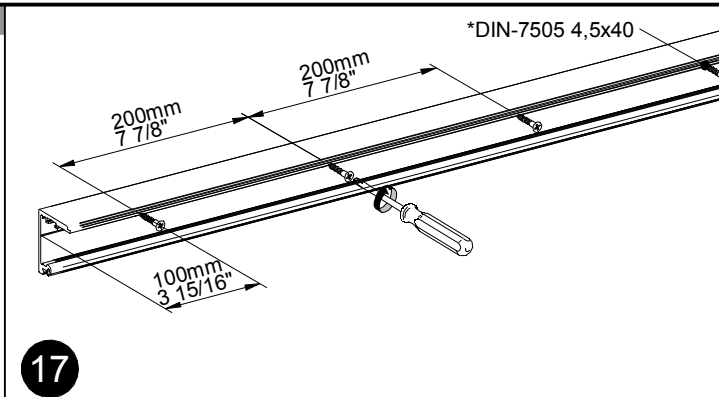
14



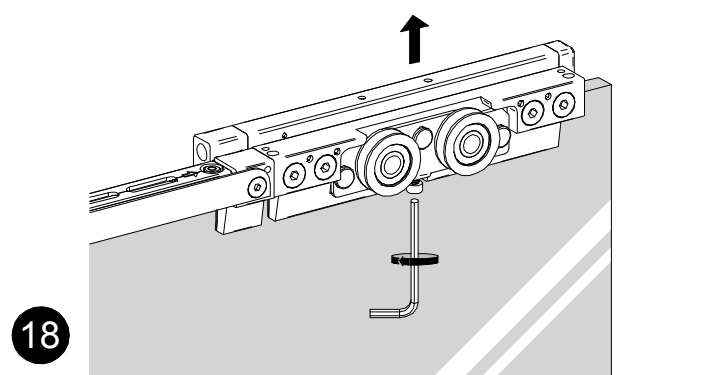
15



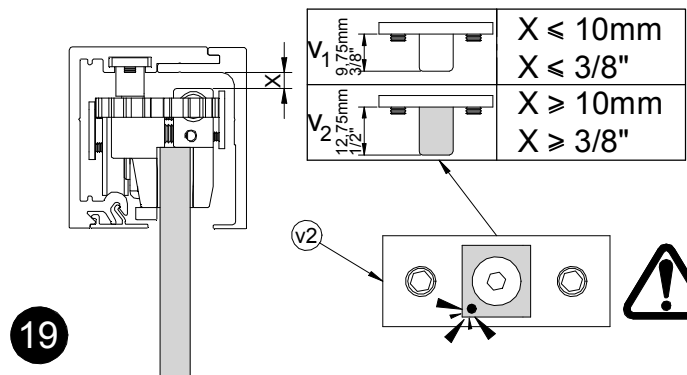
16



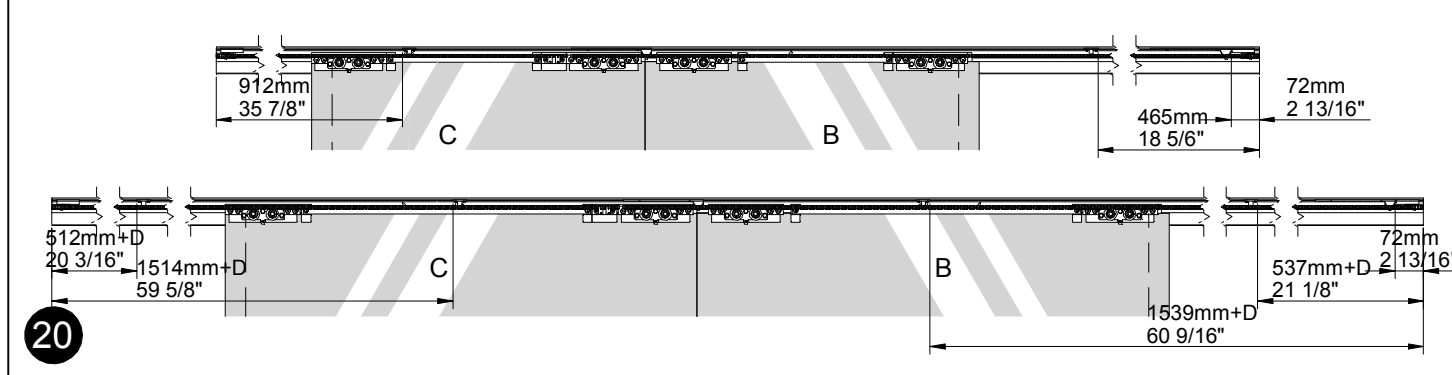
17



18

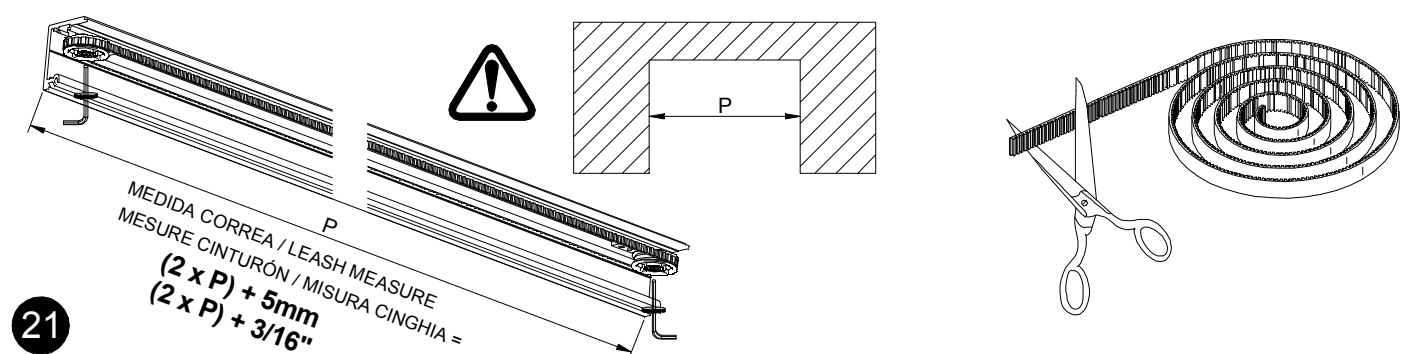


19

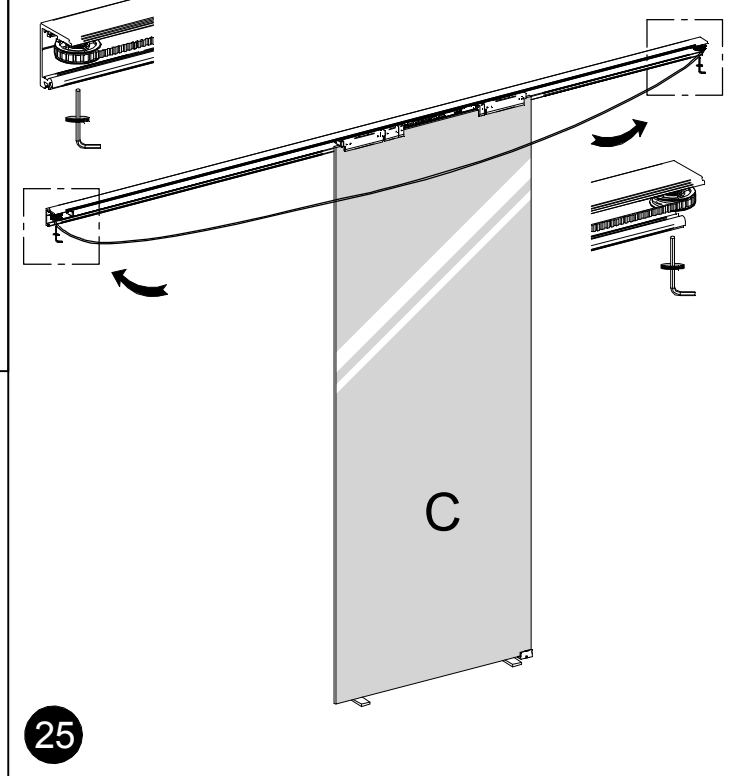


20

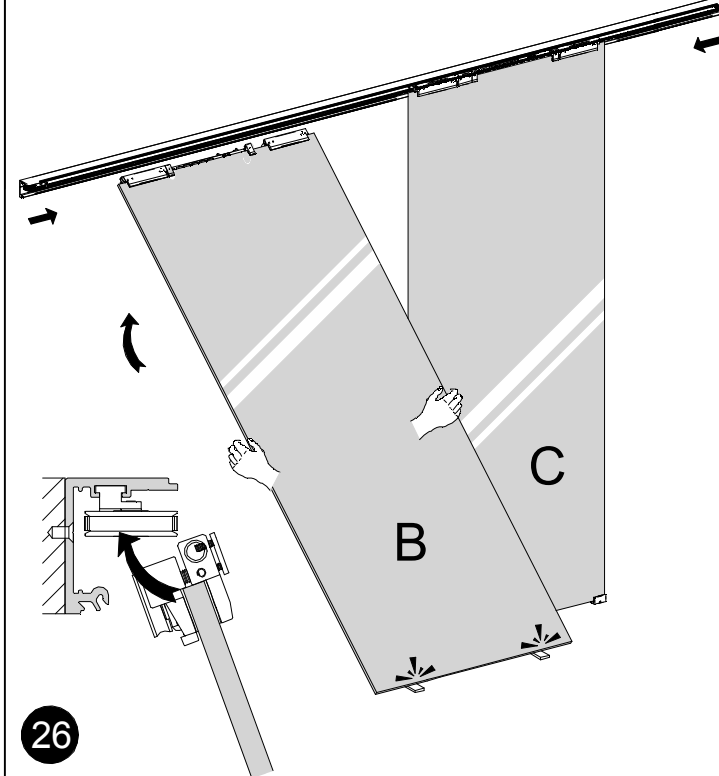
MEDIDA CORREA / Leash measure / Mesure cinturón / Misura cinghia



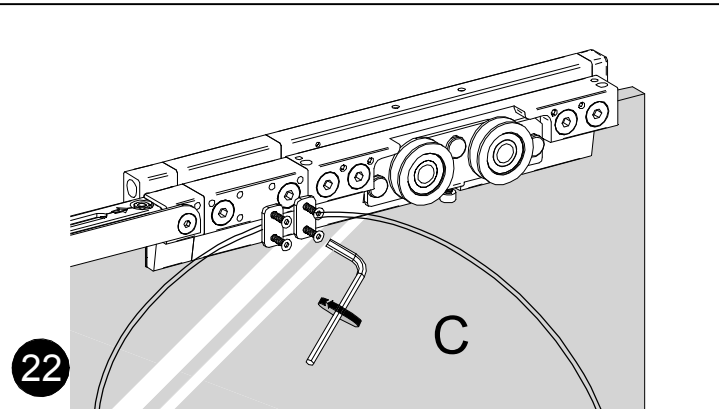
21



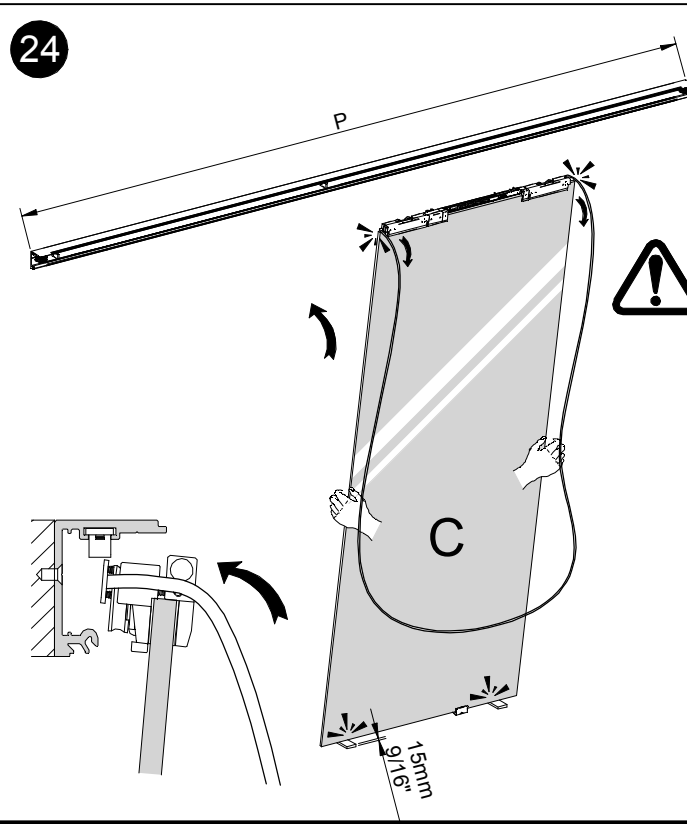
25



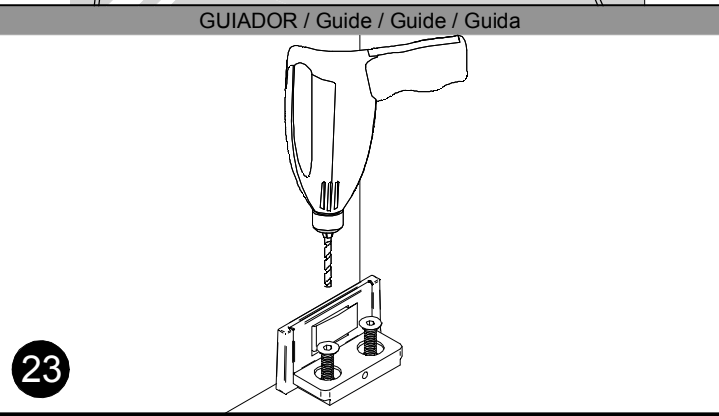
26



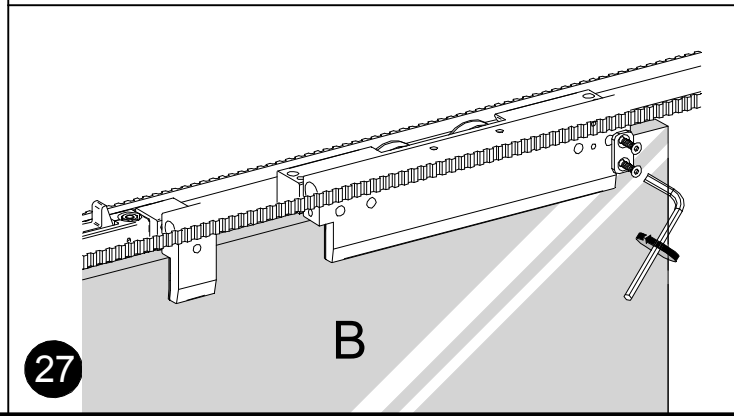
22



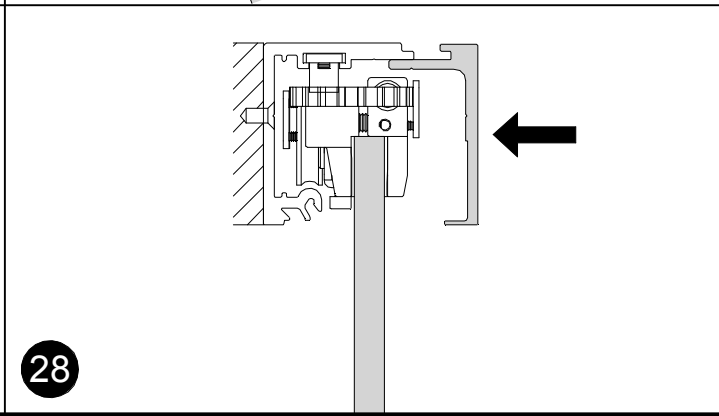
24



23



27



28

**29**

\*NO QUITAR LAS ALZAS  
\*DON'T REMOVE FLOOR SPACERS  
\*NE PAS MOUVER LES ÉPAIS  
\*NON MUOVERE GLI SPESSORI

**30**

\*MANTENER VIDRIO ALZADO PARA LA REGULACIÓN EN ALTURA  
\*LIFT/HOLD GLASS DURING HEIGHT ADJUSTMENT  
\*MANTENERE IL PANNELLO ALZATO NELLA REGOLAZIONE

**31**

ANTIDESCARRILAMIENTO / Anti-derailment / Anti-déraillement / Anti-deragliamento

**32**

**33**

**34**

**35**

VARIANTES DE INSTALACIÓN / Installations variants / Variantes de installation / Varianti d'installazione

MONTAJE A TECHO / Ceiling mount / Assemblage a sostre / Montaggio a soffitto

**36**

\*SIGUE LA INSTALACIÓN EN EL PASO 18  
\*FOLLOW INSTALLATION FROM STEP 18  
\*SUIVEZ L'INSTALLATION À L'ÉTAPE 18  
\*SEGUIRE IL PASSO 18

**37**

**38**

**39**

MONTAJE A TECHO CON VIDRIO FIJO  
Ceiling mount with fixed glass / Assemblage a sostre avec verre fixe / Montaggio con vetro fisso

**40**

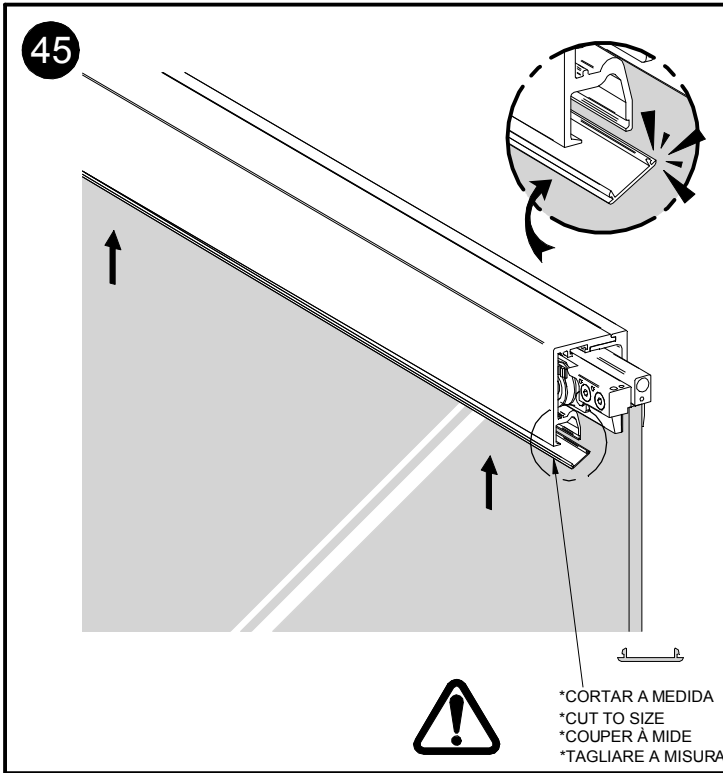
\*SIGUE LA INSTALACIÓN EN EL PASO 18  
\*FOLLOW INSTALLATION FROM STEP 18  
\*SUIVEZ L'INSTALLATION À L'ÉTAPE 18  
\*SEGUIRE IL PASSO 18

**41**

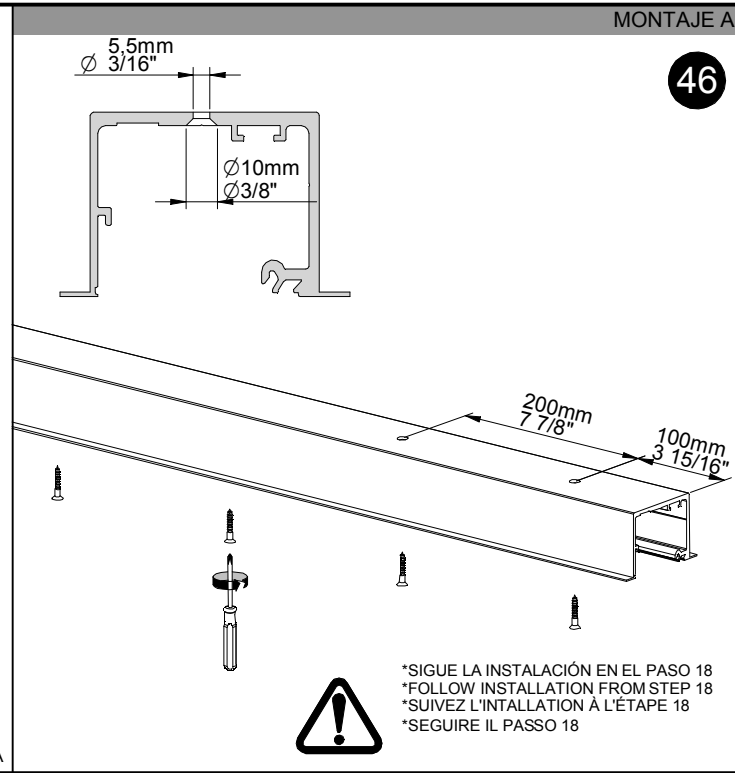
**42**

**43**

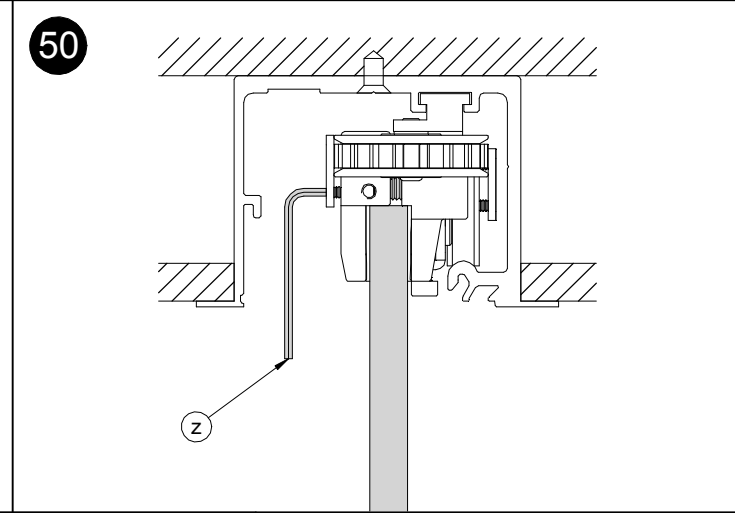
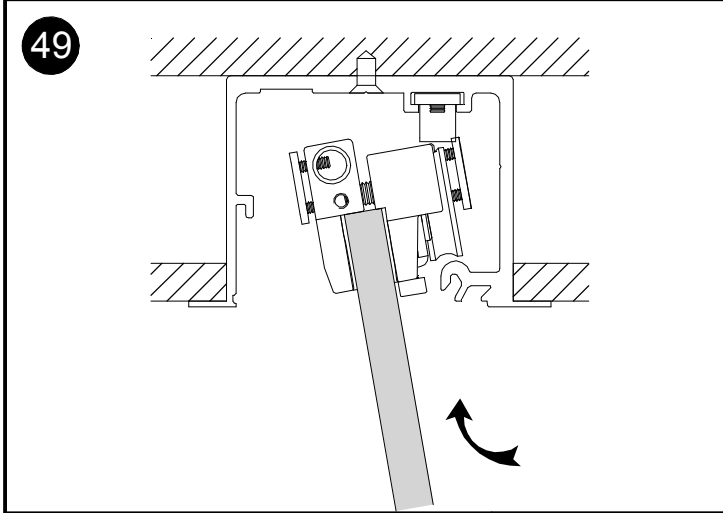
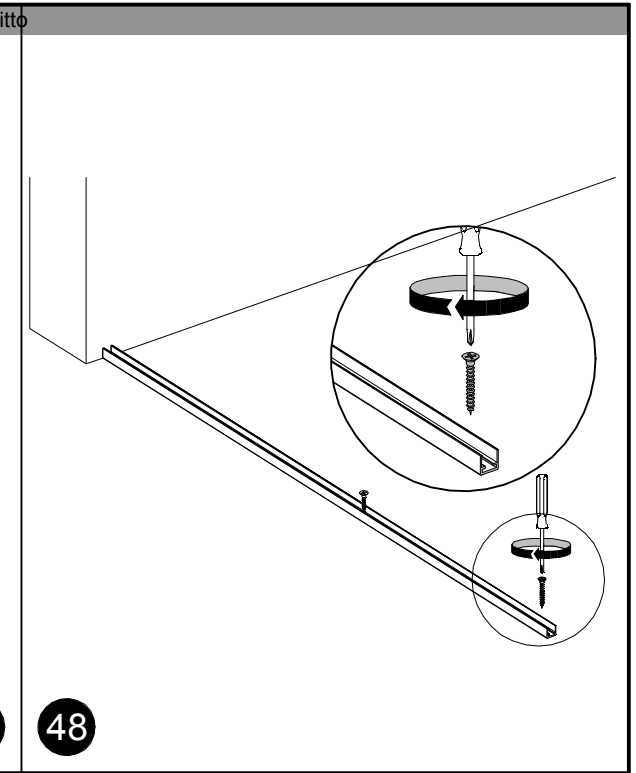
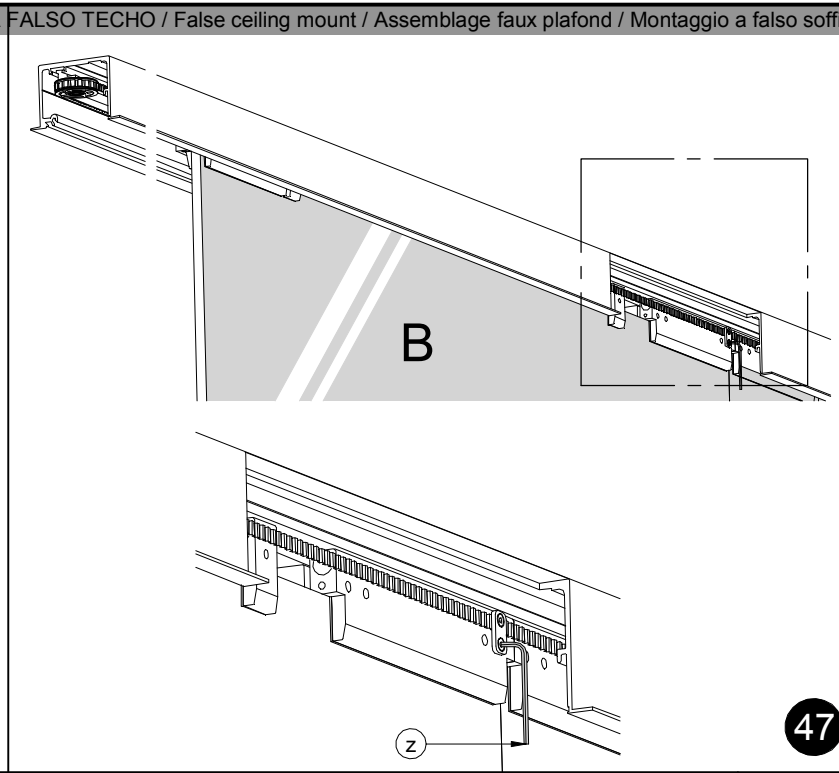
**44**



\*CORTAR A MEDIDA  
\*CUT TO SIZE  
\*COUPER À MIDE  
\*TAGLIARE A MISURA

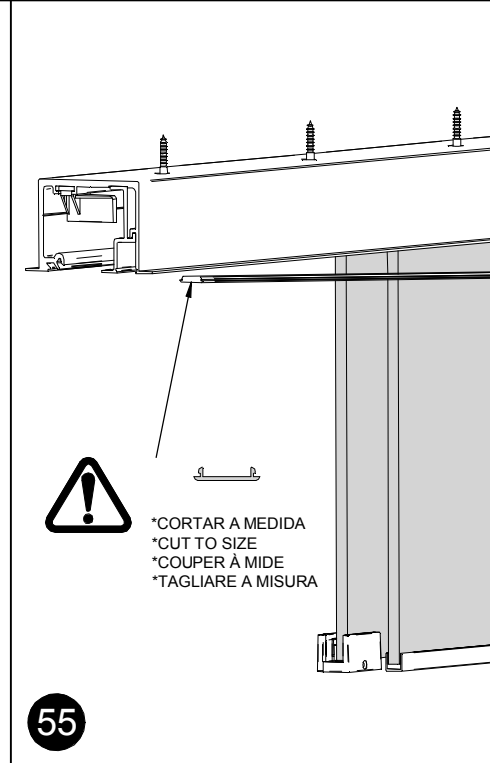
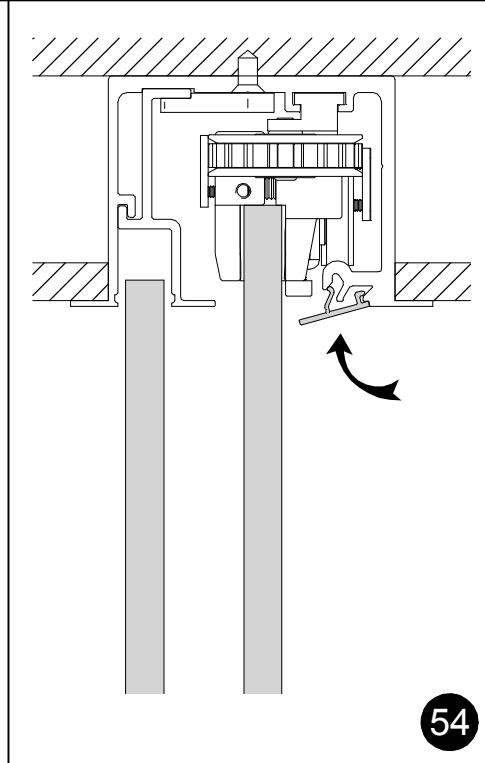
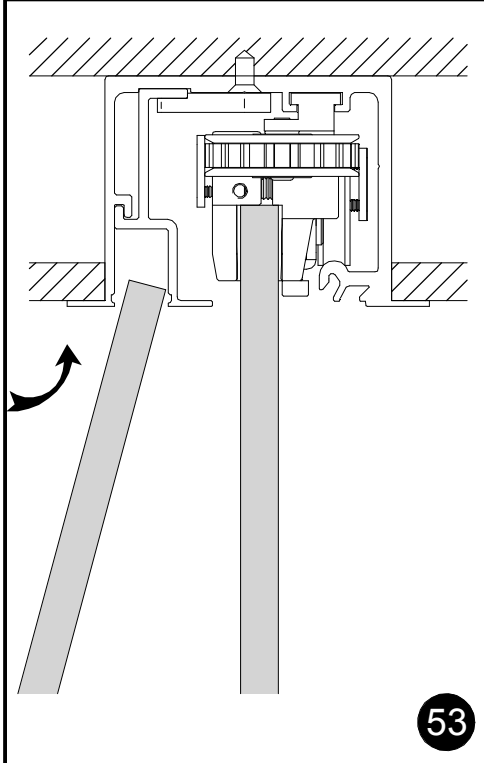


\*SIGUE LA INSTALACIÓN EN EL PASO 18  
\*FOLLOW INSTALLATION FROM STEP 18  
\*SUIVEZ L'INSTALLATION À L'ÉTAPE 18  
\*SEGUIRE IL PASSO 18

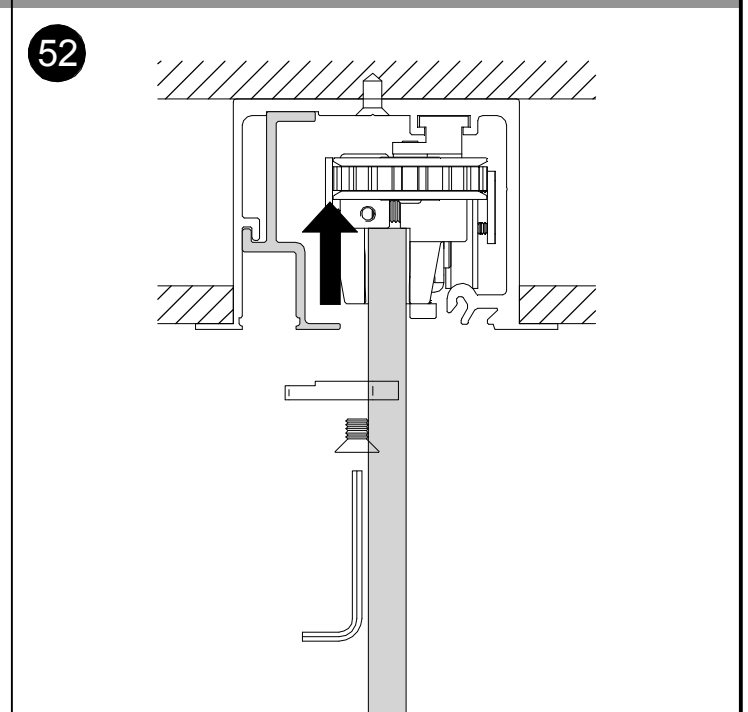
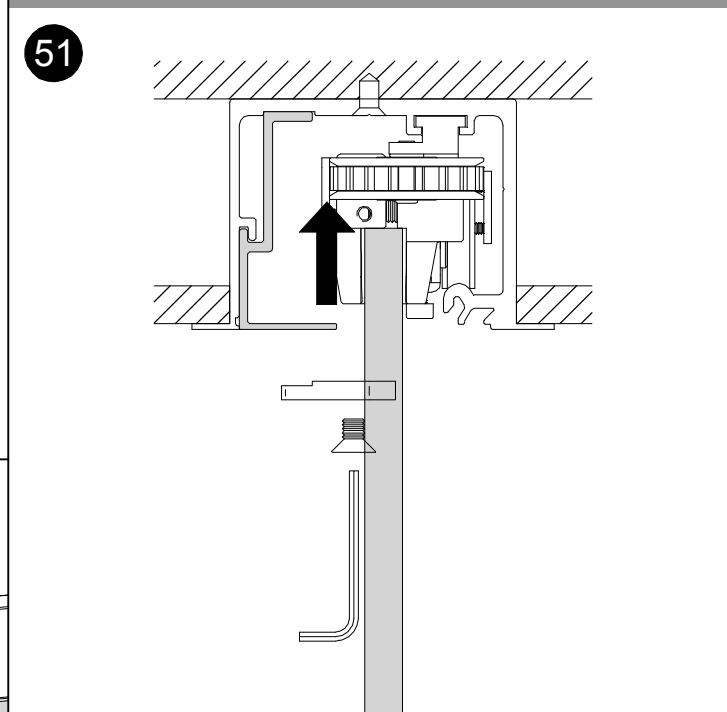


SIN VIDRIO FIJO / Without fixed glass / Sans verre fixe / Senza vetro fisso

CON VIDRIO FIJO / With fixed glass / Avec verre fixe / Con vetro fisso



\*CORTAR A MEDIDA  
\*CUT TO SIZE  
\*COUPER À MIDE  
\*TAGLIARE A MISURA



GUIADOR / Guide / Guide / Guida

